

OPJU Innovation Center



Dec Report

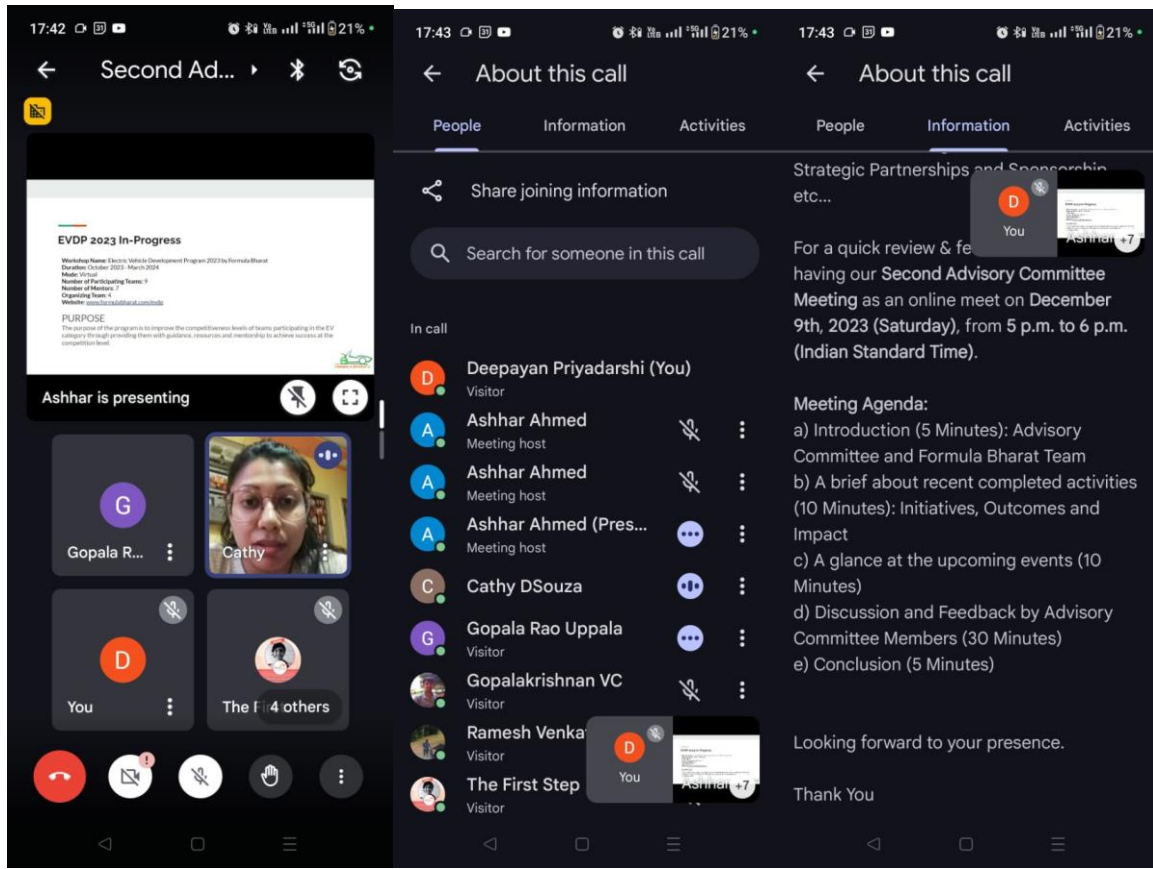
e-cell
IIT BOMBAY

**NATIONAL
ENTREPRENEURSHIP
CHALLENGE 2023**

Congratulations

Dr. Deepayan priyadarshi
Mentor
e-cell IIT Bombay
ID-1401 (2023-24)

Congratulations, Dr. Deepayan Priyadarshi, on your appointment as the Mentor of e-Cell at IIT Bombay! Your commitment and expertise are sure to shape the journey of aspiring entrepreneurs, fostering growth and success.



Formula Bharat Advisory committee Meeting: Dr. Deepayan Priyadarshi Representing OPJU Innovation Center and OPJU.



GPS Map Camera
Punjipathra, raigarh, Chhattisgarh, India
OPJU Innovation Centre, O P Jindal University, Raigarh, Chhattisgarh 496107,
India
Lat 22.061452°
Long 83.352004°
01/12/23 03:19 PM GMT +05:30

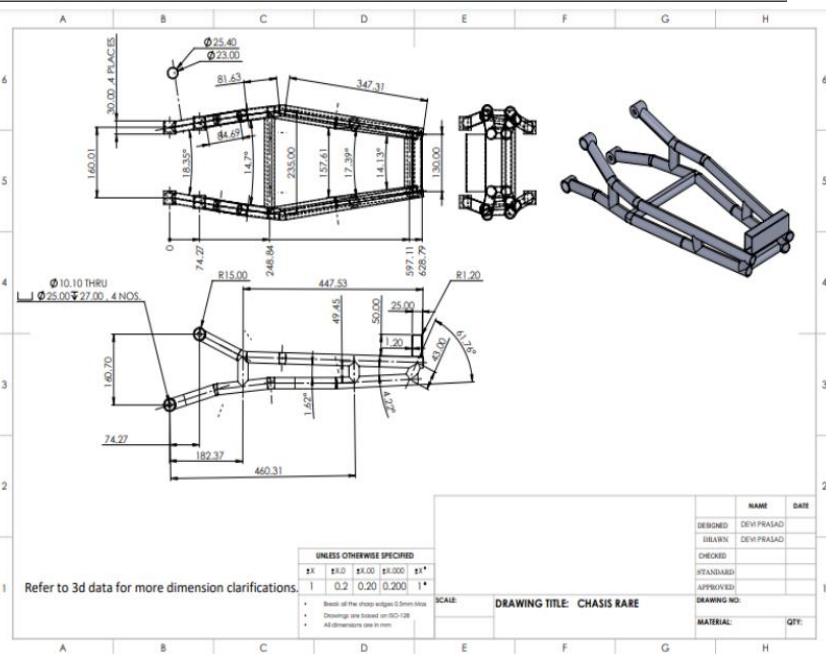
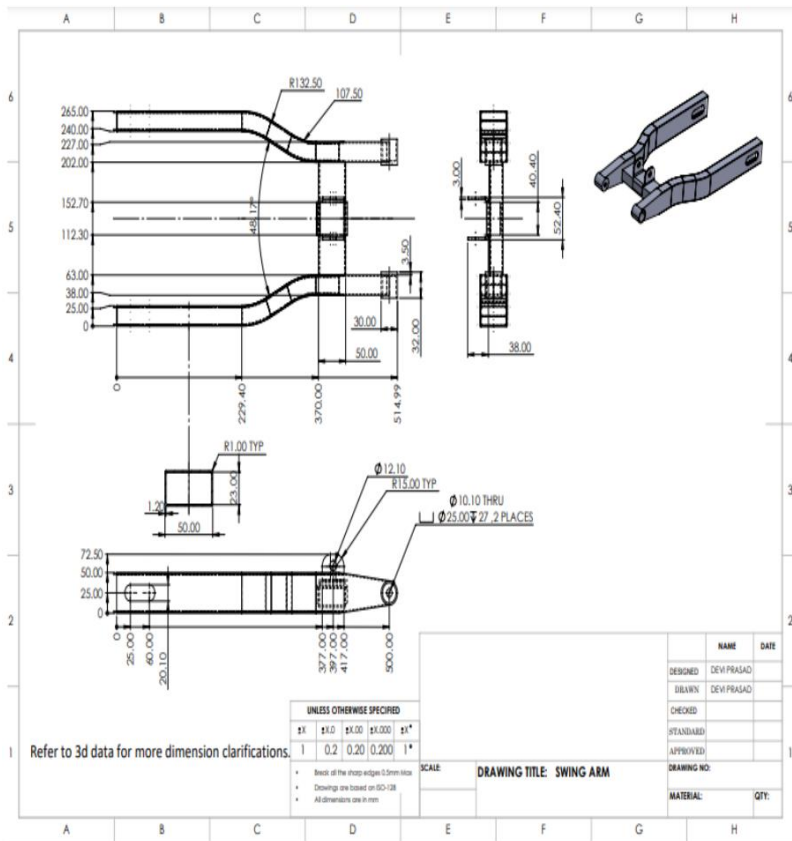


GPS Map Camera
Punjipathra, raigarh, Chhattisgarh, India
OPJU Innovation Centre, O P Jindal University, Raigarh, Chhattisgarh 496107,
India
Lat 22.061452°
Long 83.352004°
01/12/23 03:06 PM GMT +05:30

OPJU Innovation Center organized 2 days workshop on CO2 Laser cutting Machine and FDM 3D printing machine for B.Tech 2nd & 3rd year civil engineering students.






OPJU Innovation Center in association with center of excellence in manufacturing and automation(CoEMA) organized one day workshop on 3D printing and CO2 laser cutting machine for gov. ITI Raigarh students.



OPJU Innovation Center has prepared drafting sheets for their incubated company, Erkey Motors Pvt. Ltd., to facilitate the manufacturing of parts for their product named "e-bike" (model-D92).



Mr. Roshan Nahak of OPJU Innovation Center was appointed as the mentor, and under his guidance, the winning team, Caffeine Engineers, achieved success in the Smart India Hackathon 2023.

**Value Added Course on
Innovation & Entrepreneurship**

— Organized by —
Department of Civil Engineering, OPJU

Date: 28.11.2023 to 8.12.2023 | Venue : SB-13 Civil Department

<p>Coordinator Prof. Shikha Tiwari Assistant Professor, Civil Engineering</p> <p>Software Expert Gopal Krushna Gouda Lab In-charge In Dept.of Civil Engineering</p>	<p>Speaker Dr. Seshadev Nayak Professor (SoM) & Director OPJU CDC</p> <p>Dr. Deepayan Priyadarshi Asst.Professor Sr.Grade (Civil Department) & CEO OPJU IC</p> <p>Dr. Himanshu Vaishnaw Asst.Professor Sr.Grade, Head PG Program (SoM) & CMO OPJU IC</p>
---	--



Dr Deepayan and Dr. Himanshu Vaishnaw, as the distinguished speaker, recently graced the Value Added Course in Innovation & Entrepreneurship organized by the Department of Civil Engineering at OP Jindal University (OPJU). His insightful session brought a wealth of knowledge and expertise to the eager audience, comprising students and faculty members.



Celebrating the remarkable achievement 4-star rating in IIC 5.0